



Agnitek[®]
FIRE RATED TECHNOLOGY

YOUR MANUFACTURER
OF PASSIVE FIRE
SOLUTIONS.



Who We Are

Agnitek is an Australian-owned and Australian-based manufacturer of fire-rated AGNI-Products & AGNI-Systems.

Our Vision



In Agnitek we are convinced that

“More tested AGNI-SYSTEMS = More reliable fire-rated systems”.



This stance goes in conjunction with a technology-driven approach to the work and years of experience as a passive fire manufacturer, installer, and specifier.



At Agnitek, we aim to simplify installers' experience by leveraging graphite technology and advanced engineering.



We understand the daily challenges faced by industry stakeholders and aim to provide **COST-EFFECTIVE, RELIABLE, and EASY-TO-INSTALL fire-rated solutions.**

We Test

At Agnitek, we're committed to going the extra mile to:

RESEARCH DEVELOP TEST INNOVATIVE FIRE-RATED SOLUTIONS - AGNI-SYSTEMS

Our commitment extends to providing specifiers and installers technical support, complete with clear installation instructions, compliance evidence, and assistance from our team.

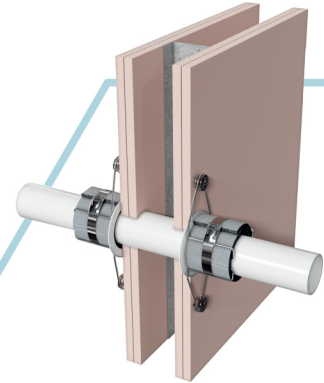
All Agnitek testing is undertaken at accredited, impartial, third-party fire resistance testing laboratories. AGNI-Systems are tested to the latest 2014 revision of AS1530.4 to comply with AS4072.1-2005 and Australian NCC.

All tests are conducted to achieve -/120/120 and higher FRL for walls, floors, and ceilings in the following substrates:

- 2-hour fire-rated plasterboard wall
- 1-hour fire-rated plasterboard wall
- Concrete
- CLT (within future testing programme)



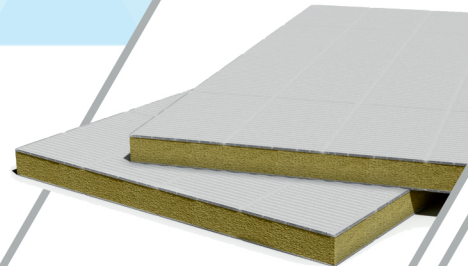
AGNI-Wrap® is a graphite-based intumescent strip and a vital component of the Agnitek M-Wrap system. Installed around pipes, it's firmly secured using AGNI-Clips and AGNI-Straps. If the annular space around AGNI-Wrap exceeds 2mm, it is sealed with a bead of AGNI-Seal.



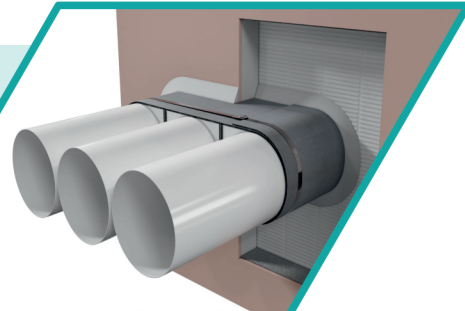
AGNI-Seal® is a fire-rated, water-based acrylic sealant for indoor and outdoor use. AGNI-Seal slightly expands to create a solid plug when exposed to fire, effectively blocking fire spread through openings or gaps in a fire-separating element.



AGNI-Board® is a rigid mineral fibre board coated with AGNI-Coat ablative sealant on both sides to reduce the permeability of the mineral fibre and restrict the passage of smoke and hot gasses. AGNI-Board is certified to be installed as a blank penetration seal system.



AGNI-Sleeve is a flexible intumescent blanket made of fire-resistant matting with a layer of high-pressure exerting intumescent material bonded to it. Designed for installation through fire-rated walls, floors, and ceilings, it creates a fire-protected service passage. AGNI-Sleeve is ideal for remediation projects, because it can be installed above or below floor slabs or ceiling systems.



AGNI-System

Agnitek conducts a comprehensive testing program to expand the AGNI-Systems Database as quickly as possible. After each test, our team creates a technical document for every certified AGNI-System.

This document, called "AGNI-System Tech Drawing," includes:

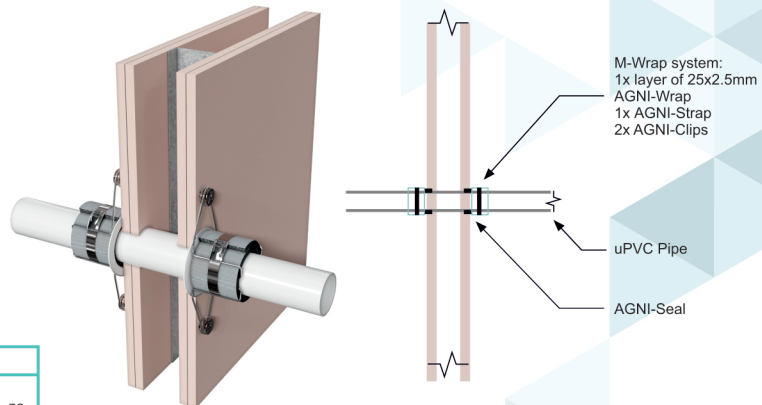
- system number
- compliance reference
- installation instructions
- 3D image
- technical drawing
- other essential details for precise specification and easy installation on-site.



AGNI-System №AP-001

Step-by-step instructions:

1. Aperture shall be clean
2. Fill the aperture with AGNI-Seal to 5mm depth
3. Install 2 layers of AGNI-Wrap around the pipe tightly
4. Locate AGNI-Wrap hard against the wall
5. Fix AGNI-Wrap with AGNI-Strap, approx. mid width of the wrap
6. Secure the wrap to the wall with two AGNI-Clips fixing them with two screws
7. Apply a bead of AGNI-Seal at AGNI-Wrap & wall junction.



M-Wrap system:
1x layer of 25x2.5mm
AGNI-Wrap
1x AGNI-Strap
2x AGNI-Clips

uPVC Pipe
AGNI-Seal

Technical Information

System ID	AP-001
Substrate	Framed wall 2x13mm layers FROM plasterboard each side, 64m steel stud, no insulation/concrete wall from 116mm thickness
Service type	ND - 40mm pvc pipe
Range	Inner diameter (ID): 38mm; outer diameter: 43mm; wall thickness: 2mm
Annular gap	Min: 5mm, Max. 15mm

Compliance information

Standards	AS1530.4-2014, AS4072.1-2005
FRR/FRL	-/120/120
Reference	Report PF23096

Disclaimer

Agnitek reserves the right to modify product specifications without prior notice due to its ongoing research, development & certification programme. The information in this document is provided in good faith and is intended for guidance purposes only. Any accompanying drawings are solely for illustrative purposes. Since Agnitek cannot oversee installation methods or ensure site conditions, no warranties, expressed or implied, are intended regarding the products' actual performance. We do not accept liability for any loss, damage, or injury resulting from the use of this information. Please refer to the test reports displayed on a relevant AGNI-System webpage for all compliance specifics.


Agnitek[®]
FIRE RATED TECHNOLOGY
8 Clare St Bayswater
VIC 3153, AUSTRALIA
+61 (03) 7045 4242
info@agnitek.com.au
www.agnitek.com.au

Date 26.02.2024